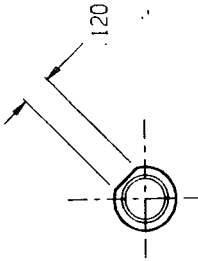
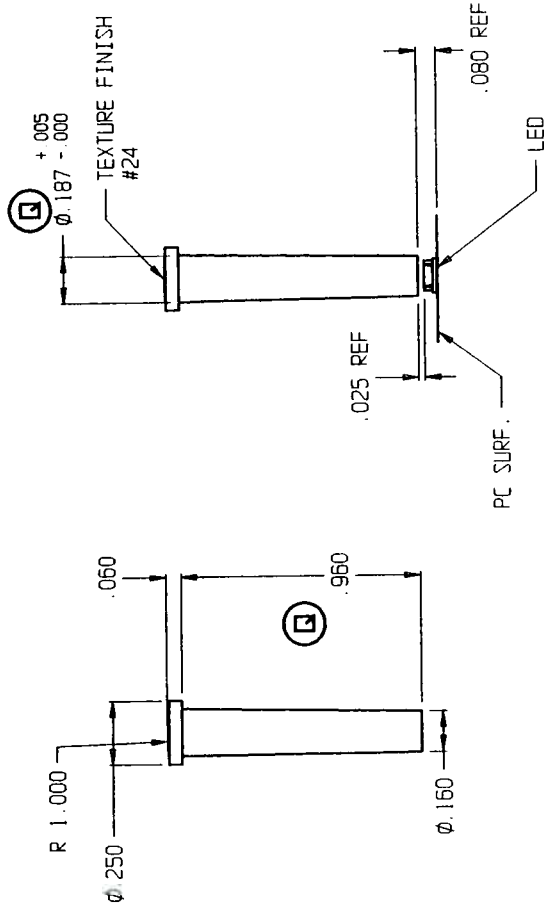


REV	ECR NO./DESCRIPTION	DATE
A	14214 NEW RELEASE	1/14/97
B	14265 HM DMT DET. X. .960 WAS .930	2/4/97
C	14302 HM CHANGED TO SALES DWG	2/12/97



- NOTES:
1. LIGHTPIPE TO BE MOLDED IN A CLEAR 94-V0 POLYCARBONATE.
 2. COMPONENT TO BE FREE OF IMPERFECTIONS WHICH WOULD INTERFERE WITH THE DESIGNED LIGHT OUTPUT.
 3. LED SHOWN FOR REFERENCE

<input checked="" type="checkbox"/> FOR INSPECTION USE ONLY <input checked="" type="checkbox"/> SPC DOCUMENTATION REQ. (X R CHARTS)		DIST S
PART NO. - CODE NO. 7511A44 MOLD NO. - MATERIAL: SEE NOTE FINISH: NOTED TOLERANCE (UNLESS OTHERWISE SPECIFIED): DRAWN S WJ CHECKED NS 2-11-97 ENG APPR: [Signature]		TITLE VERTICAL LIGHTPIPE INDUSTRIAL DEVICES INC. IDI A CHOCORU PLASTICS COMPANY 285 RAILROAD AVE. HADDONSBACK, NJ 07601 SCALE 2 : 1 B13463 C

THIS DWG IS THE PROPERTY OF INDUSTRIAL DEVICES, INC. AND IS PROPRIETARY IN GENERAL AND IN DETAIL. IT SHALL NOT BE COPIED OR ITS CONTENTS REVEALED TO OUTSIDE PARTIES WITHOUT THE WRITTEN CONSENT OF INDUSTRIAL DEVICES, INC.

DO NOT SCALE